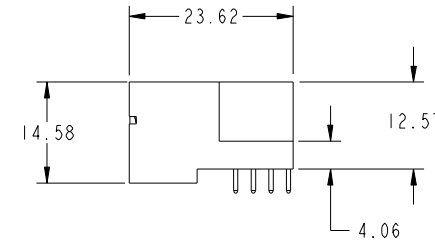
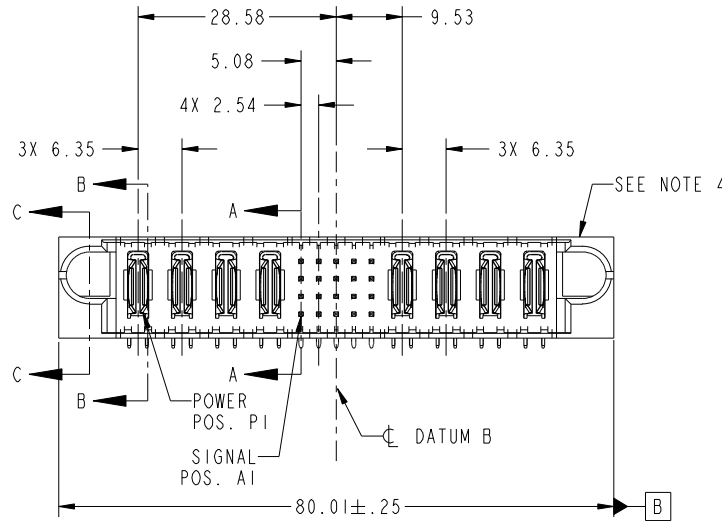


Tous droits strictement reserves. Reproduction ou communication a des tiers interdite sous quelque forme que ce soit sans autorisation écrite du propriétaire. Propriete de c FCI. Droits de reproduction FCI.



All rights strictly reserved. Reproduction or issue to third parties in any form whatever is not permitted without written authority from the proprietor. Property of FCI. Copyright FCI.

PRODUCT NO.	ROWS	POWER				SIGNAL					POWER					
		E1	P1	P2	P3	P4	1	2	3	4	5	P5	P6	P7	P8	E2
51730-032	D C B A															
NOTE: ③						UUUUU	TTTTT	SSSSS	RRRRR							



CODE	DIM "M" MATING LENGTH	CONTACT TYPE
F	[5.59]	SIGNAL
R	[6.86]	SIGNAL
S	[6.86]	SIGNAL
T	[6.86]	SIGNAL
U	[6.86]	SIGNAL
PA	[N/A]	POWER

mat'l code				SEE NOTE		tolerances unless otherwise specified		CUSTOMER		FCI	
ltr	ecn no.	dr	date	linear	0.X ± 0.5	projection		COPY		www.fciconnect.com	
A	V12166	JRW	08/16/01	angles	0.XX ± 0.25	MIM		title		4P + 20S + 4P	
B	V21291	CGD	09/10/02		0.XXX ± 0.10	0° ± 2°		RIGHT ANGLE SOLDER HEADER		product family PwrBlade code 213	
C	DG05-0243	SJ	07/26/05	dr		C. DAILY 09/10/02		size		dwg no 51730-032 sheet 1 of 4	
D	DG05-0560	CS	12/26/05	enrg		M. MOSTOLLER 09/10/02		scale		A	
E	DG08-0272	JW	09/29/08	chr		M. MOSTOLLER 09/10/02		1:1			
				appd		M. MOSTOLLER 09/10/02					
sheet index	revision sheet	E 1	E 2	E 3	E 4					cage code 22526	

Pro/E

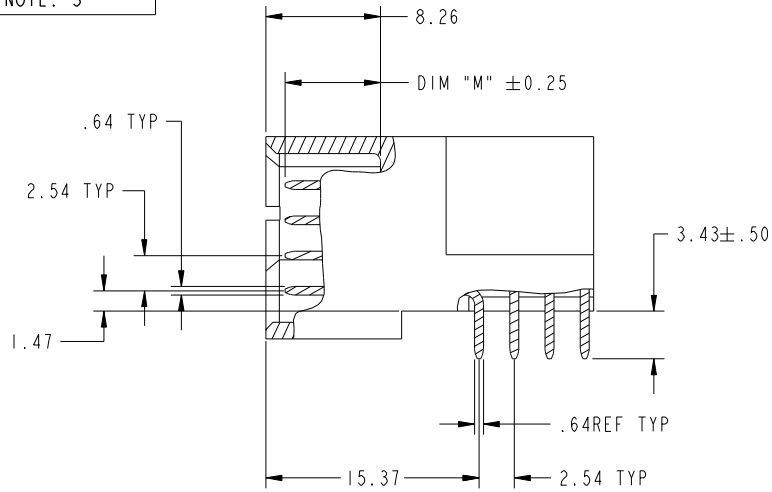
22526

Tous droits strictement reserves. Reproduction ou communication a des tiers interdite sous quelque forme que ce soit sans autorisation écrite du propriétaire. Propriete de c FCI. Droits de reproduction FCI.

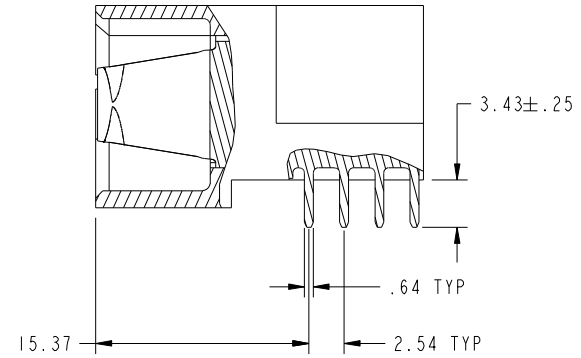


All rights strictly reserved. Reproduction or issue to third parties in any form whatever is not permitted without written authority from the proprietor. Property of FCI. Copyright FCI.

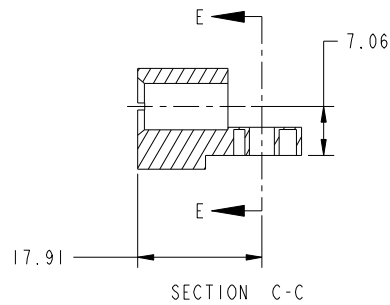
PRODUCT NUMBER
51730-032--
NOTE: 3



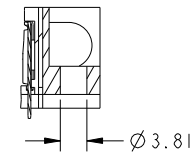
BROKEN-OUT SECTION A-A
SCALE 2:1



BROKEN-OUT SECTION B-B
SCALE 2:1



SECTION C-C



PARTIAL SECTION E-E

mat'l code		SEE NOTE		tolerances unless otherwise specified		CUSTOMER		www.fciconnect.com	
ltr	ecn no.	dr	date	linear	0.X ±0.5	COPY		title	
E					0.XX ±0.25	projection		4P + 20S + 4P	
				angles	0.XXX ±0.10			RIGHT ANGLE SOLDER HEADER	
				dr	0° ±2°			product family PwrBlade code	
				engr	C. DAILY 09/10/02	scale		size	
				chr	M. MOSTOLLER 09/10/02	1:1		dwg no	
				appd	M. MOSTOLLER 09/10/02			51730-032	
sheet index		revision sheet						sheet	
								2	

cage code 22526

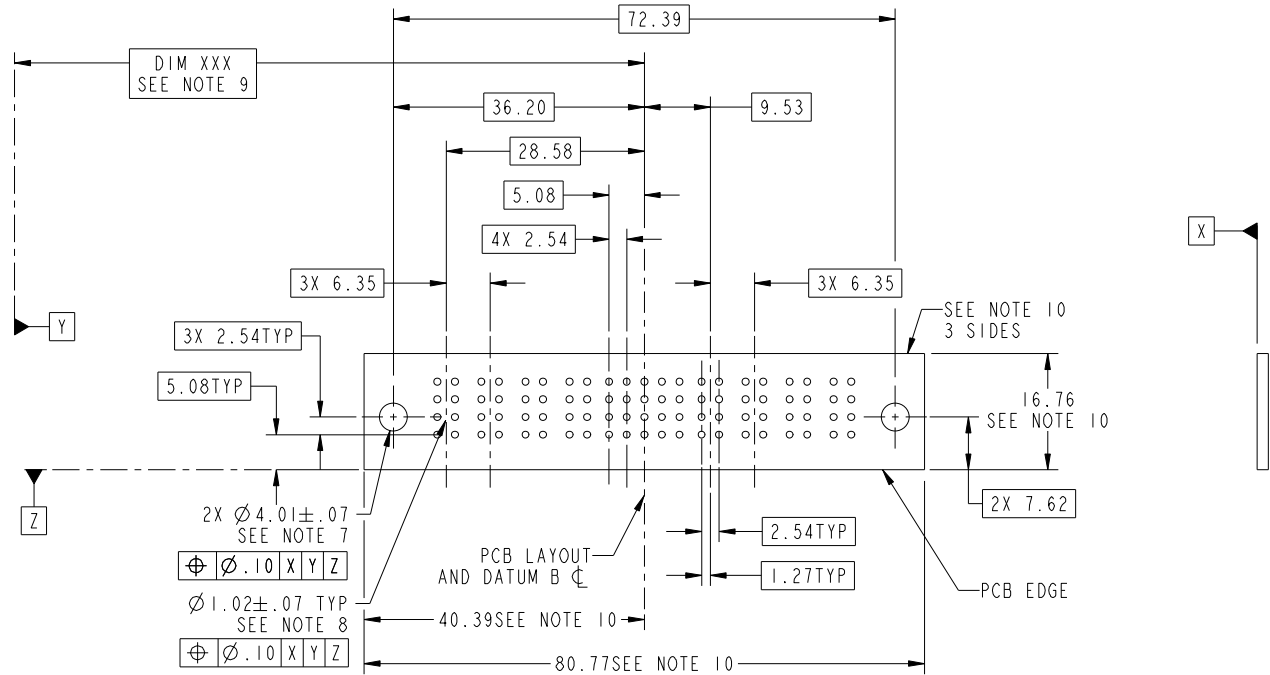
Pro/E

Tous droits strictement reserves. Reproduction ou communication a des tiers interdite sous quelque forme que ce soit sans autorisation écrite du propriétaire. Propriete de c FCI. Droits de reproduction FCI.



All rights strictly reserved. Reproduction or issue to third parties in any form whatever is not permitted without written authority from the proprietor. Property of FCI. Copyright FCI.

PRODUCT NUMBER
51730-032--
NOTE: 3



RECOMMENDED PCB LAYOUT

mat'l code		SEE NOTE		tolerances unless otherwise specified		CUSTOMER		www.fciconnect.com	
ltr	ecn no.	dr	date	linear	0.X ± 0.5	COPY		title	
E					0.XX ± 0.25	projection		4P + 20S + 4P RIGHT ANGLE SOLDER HEADER	
				angles	0.XXX ± 0.10			product family	
				dr	0° ± 2°	MIM		PwrBlade	
				enrg	C. DAILY 09/10/02	scale		code	
				chr	M. MOSTOLLER 09/10/02	1:1		213	
				appd	M. MOSTOLLER 09/10/02	A		sheet	
sheet index		revision sheet						3	
								3	

cage code 22526

Pro/E

Tous droits strictement reserves. Reproduction ou communication a des tiers interdite sous quelque forme que ce soit sans autorisation écrite du propriétaire. Propriete de c FCI. Droits de reproduction FCI.



All rights strictly reserved. Reproduction or issue to third parties in any form whatever is not permitted without written authority from the proprietor. Property of FCI. Copyright FCI.

PRODUCT NUMBER
51730-032-- NOTE: 3

NOTES:

1. DIMENSIONS AND TOLERANCES ARE IN ACCORDANCE WITH ASME Y14.5M, 1994 UNLESS OTHERWISE SPECIFIED.

CONNECTOR NOTES:

2. HOUSING MATERIAL: UL 94 V-0 GLASS FILLED HIGH-TEMP THERMOPLASTIC
POWER CONTACT MATERIAL: COPPER ALLOY
SIGNAL PIN MATERIAL: COPPER ALLOY

3. PLATING:

SEE ITEM 1 & 2 IN PRINT 10064183 FOR PLATING SPEC OF 51730-032; 51730-032LF PRESPECTIVELY

4. MANUFACTURER'S NAME, P/N, AND DATE CODE TO APPEAR ON THIS SURFACE.

5. PRODUCT SPECIFICATION GS-12-149.
APPLICATION SPECIFICATION BUS-20-067.

PCB NOTES:

6. ALL HOLE DIAMETERS ARE FINISHED HOLE SIZE.
7. MOUNTING HOLES, WHERE APPLICABLE, ARE UNPLATED.

8. $\varnothing 1.151 \pm 0.025$ DRILLED HOLES PLATED WITH 0.008 MIN SnPb OR Sn OVER 0.03 TO 0.08 Cu PLATING TO ACHIEVE $\varnothing 1.02 \pm .07$ HOLE.

9. "DIM XXX" TO BE DETERMINED BY THE CUSTOMER.

10. CONNECTOR KEEP-OUT ZONE.

11. A Δ SYMBOL WILL BE NEXT TO ANY DIMENSION, VIEW, OR NOTE WHICH HAS BEEN MODIFIED WITH THE CURRENT DRAWING REVISION.

mat'l code		SEE NOTE		tolerances unless otherwise specified		CUSTOMER		FCI www.fciconnect.com	
ltr	ecr no.	dr	date	linear	0.X ± 0.5	COPY		title	
E					0.XX ± 0.25	projection		4P + 20S + 4P RIGHT ANGLE SOLDER HEADER	
				angles	0.XXX ± 0.10			product family PwrBlade code 213	
				dr	0° ± 2°			size dwg no 51730-032 sheet 4	
				enrg	C. DAILY 09/10/02	scale 1:1		A	
				chr	M. MOSTOLLER 09/10/02				
				appd	M. MOSTOLLER 09/10/02				
sheet index	revision sheet								

cage code 22526

Pro/E